

### POWER MANAGEMENT

PRELIMINARY

#### Description

The SC2982 is a 50mA ultra low dropout linear regulator with a built in CMOS/TTL logic level enable switch. It is designed specifically for battery powered applications where low quiescent current and low dropout are critical for battery longevity.

The SC2982 uses a Semtech proprietary internal PNP device for the pass element, providing a low dropout voltage of 100mV at a load of 50mA, while maintaining a ground pin current of 600µA.

The output noise is reduced by placing a 10nF capacitor on pin 4 (bypass).

Each device contains a bandgap reference, error amplifier, PNP pass element, thermal and current limiting circuitry and resistor divider network for setting output voltage.

The SC2982 is packaged in a 5 pin SOT-23 surface mount package for a very small footprint and requires only a 1µF capacitor on the output for a minimum number of external components.

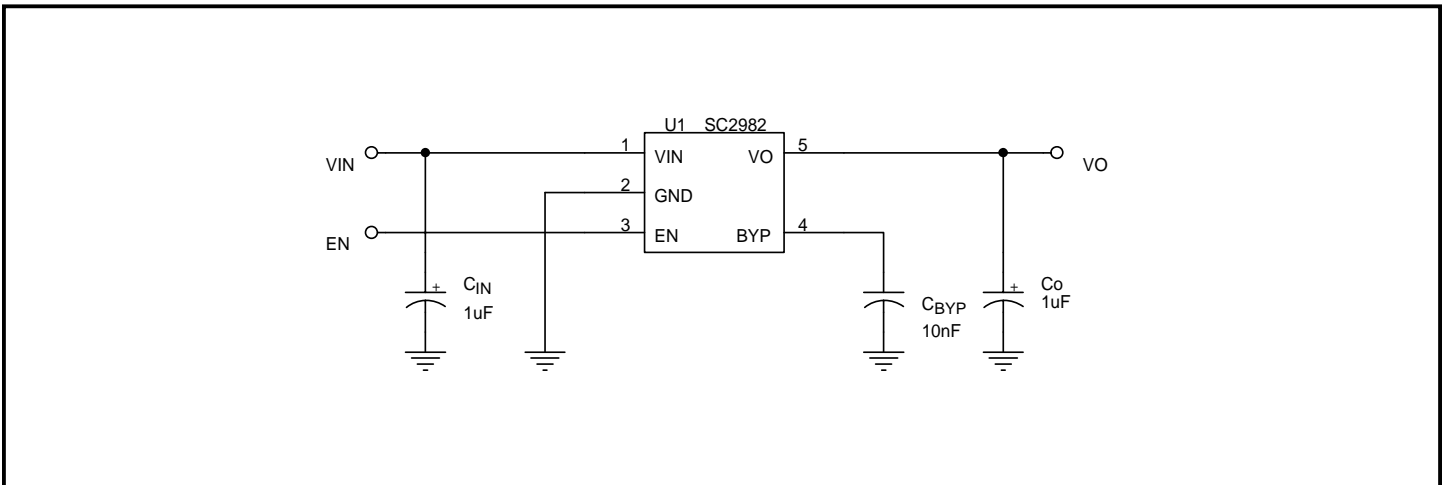
#### Features

- ◆ Ultra low dropout voltage - 100mV @ 50mA
- ◆ Guaranteed 50mA output current
- ◆ Low ground pin current at all loads
- ◆ <1µA quiescent current in shutdown
- ◆ Wide input supply voltage range 2.5V to 16V
- ◆ Wide output voltage range
- ◆ Excellent line regulation
- ◆ Industrial temperature range
- ◆ Surface mount packaging (5 pin SOT-23)

#### Applications

- ◆ Battery Powered Systems
- ◆ Cellular Telephones
- ◆ Cordless Telephones
- ◆ Pagers
- ◆ Personal Digital Assistants
- ◆ Portable Instrumentation
- ◆ Cameras
- ◆ Portable Consumer Equipment
- ◆ PCMCIA Cards

#### Typical Application Circuit



#### Notes:

- (1)  $C_{IN}$  is needed if the device is far from the supply's filter capacitors, or for operation from a battery. A value of 1µF or greater should be used.  $C_{IN}$  may be a tantalum or aluminum electrolytic capacitor.
- (2)  $C_O$  should be a 1µF or greater tantalum or aluminum electrolytic capacitor. Larger value capacitors will improve the overall transient response. Due to their very low ESR, ceramic capacitors should not be used.
- (3)  $C_{BYP}$  should be placed as close as possible to pin 4 and ground. A 10nF ceramic capacitor is recommended.
- (4) EN should be tied to VIN if the shutdown feature is not required. Maximum EN voltage = VIN.

**POWER MANAGEMENT**
**PRELIMINARY**
**Absolute Maximum Ratings**

Parameter	Symbol	Maximum	Units
Input Supply Voltage	V <sub>IN</sub>	-0.3 to +20	V
Power Dissipation	P <sub>D</sub>	Internally Limited	W
Thermal Resistance Junction to Ambient	θ <sub>JA</sub>	256	°C/W
Thermal Resistance Junction to Case	θ <sub>JC</sub>	81	°C/W
Operating Ambient Temperature Range	T <sub>A</sub>	-40 to +85	°C
Operating Junction Temperature Range	T <sub>J</sub>	-40 to +125	°C
Storage Temperature Range	T <sub>STG</sub>	-65 to +150	°C
Lead Temperature (Soldering) 10 Sec	T <sub>LEAD</sub>	300	°C
ESD Rating (Human Body Model)	V <sub>ESD</sub>	2	kV

**Electrical Characteristics**

Unless specified: V<sub>IN</sub> = V<sub>O(NOM)</sub> + 1V, I<sub>O</sub> = 100μA, C<sub>O</sub> = 1μF, V<sub>EN</sub> ≥ 1.8V. Values in **bold** apply over the full operating temperature range.

Parameter	Symbol	Test Conditions	Min	Typ	Max	Units
Supply Voltage Range	V <sub>IN</sub>		<b>2.5</b>		<b>16</b>	V
Output Voltage	V <sub>O</sub>		-1		+1	%
			<b>-3</b>		<b>+3</b>	
Output Voltage Temperature Coefficient	TC			40		ppm/°C
Line Regulation	REG <sub>(LINE)</sub>	V <sub>IN</sub> = (V <sub>O(NOM)</sub> + 1V) to 16V		0.06	0.12	%V
					<b>0.15</b>	
Load Regulation	REG <sub>(LOAD)</sub>	I <sub>O</sub> = 0.1mA to 50mA		0.001	0.004	%/mA
					<b>0.007</b>	
Dropout Voltage <sup>(1)</sup>	V <sub>D</sub>	I <sub>O</sub> = 100μA		5	10	mV
					<b>25</b>	
		I <sub>O</sub> = 50mA		100	150	mV
					<b>200</b>	
Ground Pin Current	I <sub>GND</sub>	I <sub>O</sub> = 100μA		80	125	μA
					<b>150</b>	
		I <sub>O</sub> = 50mA		600	1000	μA
					<b>1500</b>	
		V <sub>EN</sub> < 0.4V (shutdown)		0.01	<b>5</b>	μA

**POWER MANAGEMENT**
**PRELIMINARY**
**Electrical Characteristics**

 Unless specified:  $V_{IN} = V_{O(NOM)} + 1V$ ,  $I_o = 100\mu A$ ,  $C_o = 1\mu F$ ,  $V_{EN} \geq 1.8V$ . Values in **bold** apply over the full operating temperature range.

Parameter	Symbol	Test Conditions	Min	Typ	Max	Units
Current Limit <sup>(2)</sup>	$I_{LIM}$	$VO > (V_{O(NOM)} - 5\%)$	<b>200</b>			mA
Ripple Rejection Ratio	PSRR	$I_o = 100\mu A$ , $f = 100Hz$ , $C_{BYP} = 10nF$ , $C_o = 10\mu F$		50		db
Thermal Regulation	$\frac{\Delta V_o(\%)}{P_D}$			0.05		%/W
RMS Output Noise	$e_{no}$	$B_W = 300Hz$ to $50kHz$ , $I_o = 1mA$ , $C_{BYP} = 10nF$ , $C_o = 10\mu F$		30		$\mu V_{rms}$
Enable Input Voltage	$V_{EN}$	Low = O/P OFF			<b>0.4</b>	V
		High = O/P ON	<b>1.8</b>			V
Enable Input Current	$I_{EN}$	$V_{EN} \leq 0.4V$		-0.01	-1	$\mu A$
		$V_{EN} \geq 1.8V$		5	10	$\mu A$
					<b>20</b>	

**Notes:**

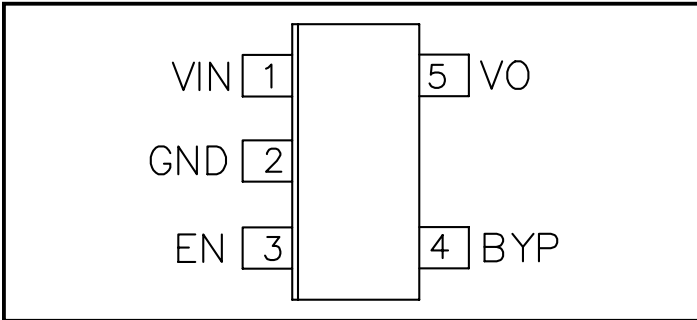
(1) Defined as the input to output differential at which the output voltage drops 100mV below the value measured at a differential of 1V.

(2) As the load resistance further decreases, the SC2982 folds back the output current to approximately 150mA at  $V_o = 0V$ .

**POWER MANAGEMENT**

**PRELIMINARY**

**Pin Configuration**



**Ordering Information**

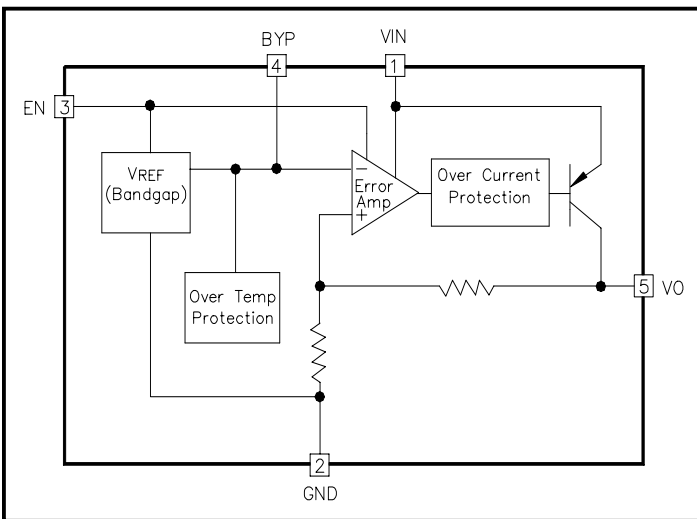
Device	Package
SC2982CSK-X.XTR <sup>(1)(2)</sup>	5 pin SOT-23

**Notes:**

(1) Where -X.X denotes voltage options. Available voltages are: 1.8V, 2.5V, 2.8V, 3.0V, 3.3V, 3.6V, 3.8V, 4.0V and 5.0V.

(2) Only available in tape and reel packaging. A reel contains 3000 devices.

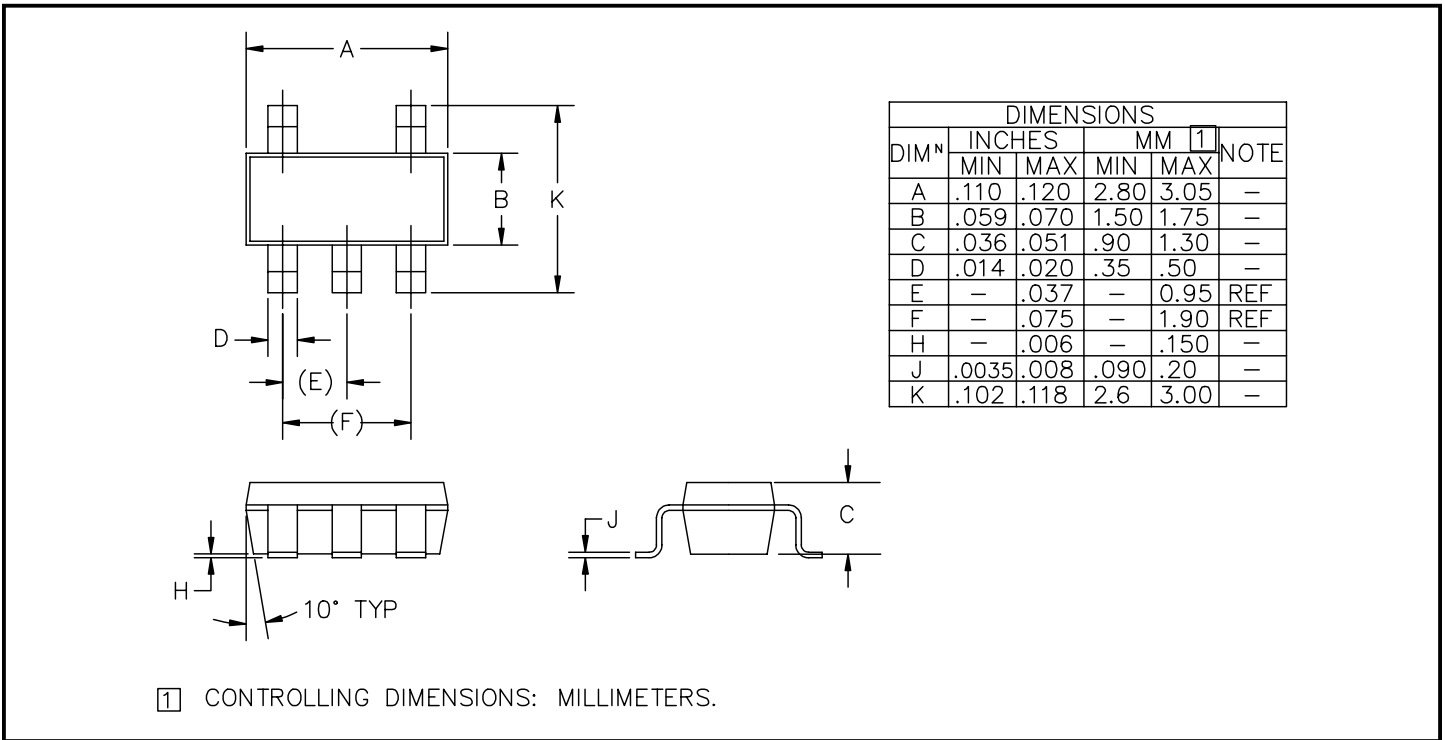
**Block Diagram**



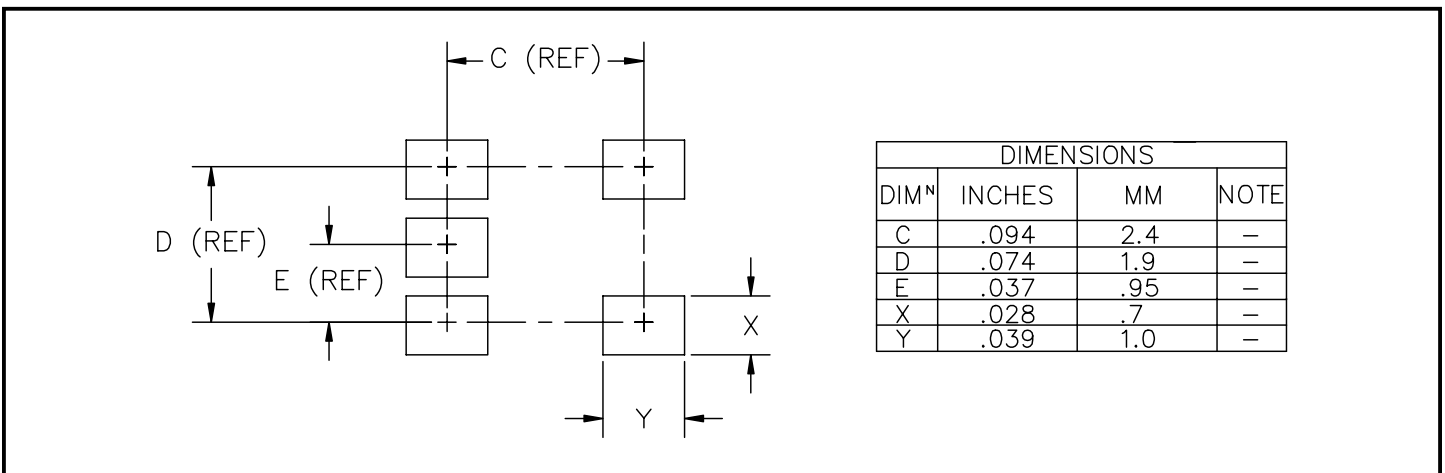
**Pin Descriptions**

Pin	Pin Name	Pin Function
1	VIN	Supply voltage input.
2	GND	Ground.
3	EN	Active high enable input. Connect to VIN if not being used.
4	BYP	Reference bypass. Connect a 10nF capacitor between this pin and GND to reduce output noise
5	VO	Voltage output.

Outline Drawing - SOT-23-5



Land Pattern - SOT-23-5



Contact Information

Semtech Corporation  
 Power Management Products Division  
 652 Mitchell Rd., Newbury Park, CA 91320  
 Phone: (805)498-2111 FAX (805)498-3804